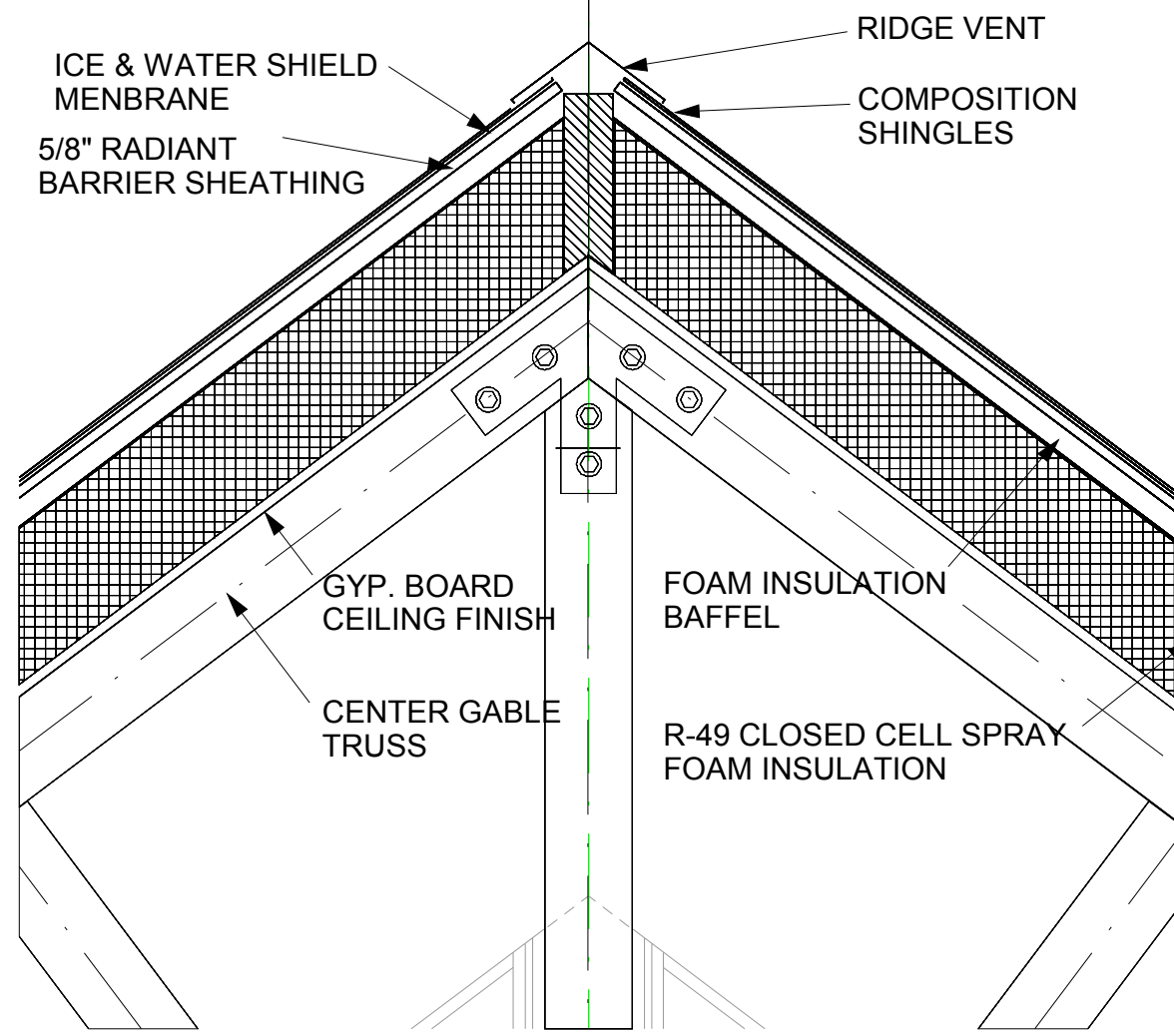
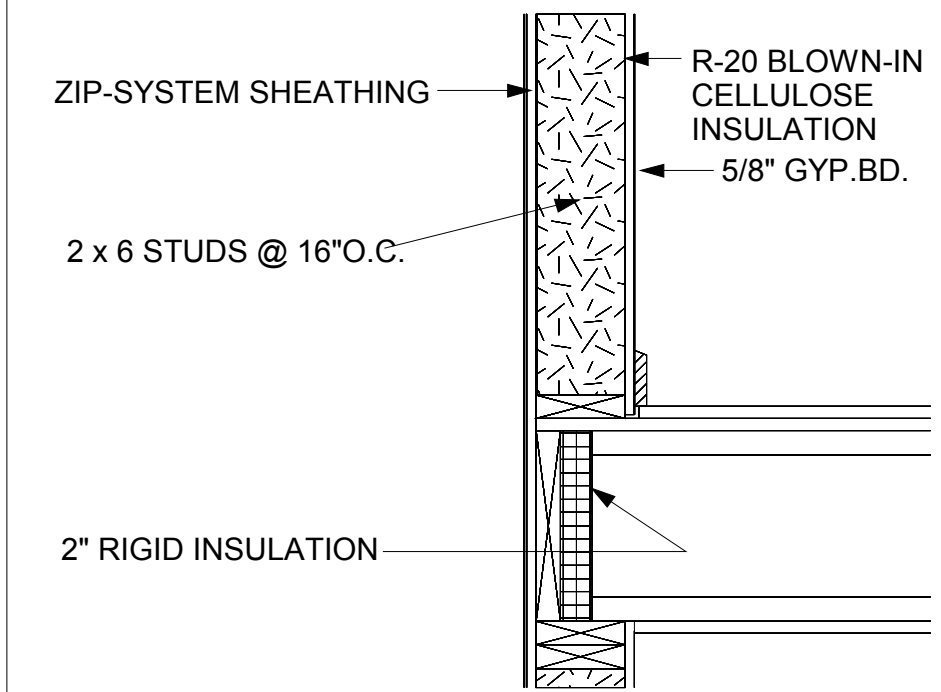


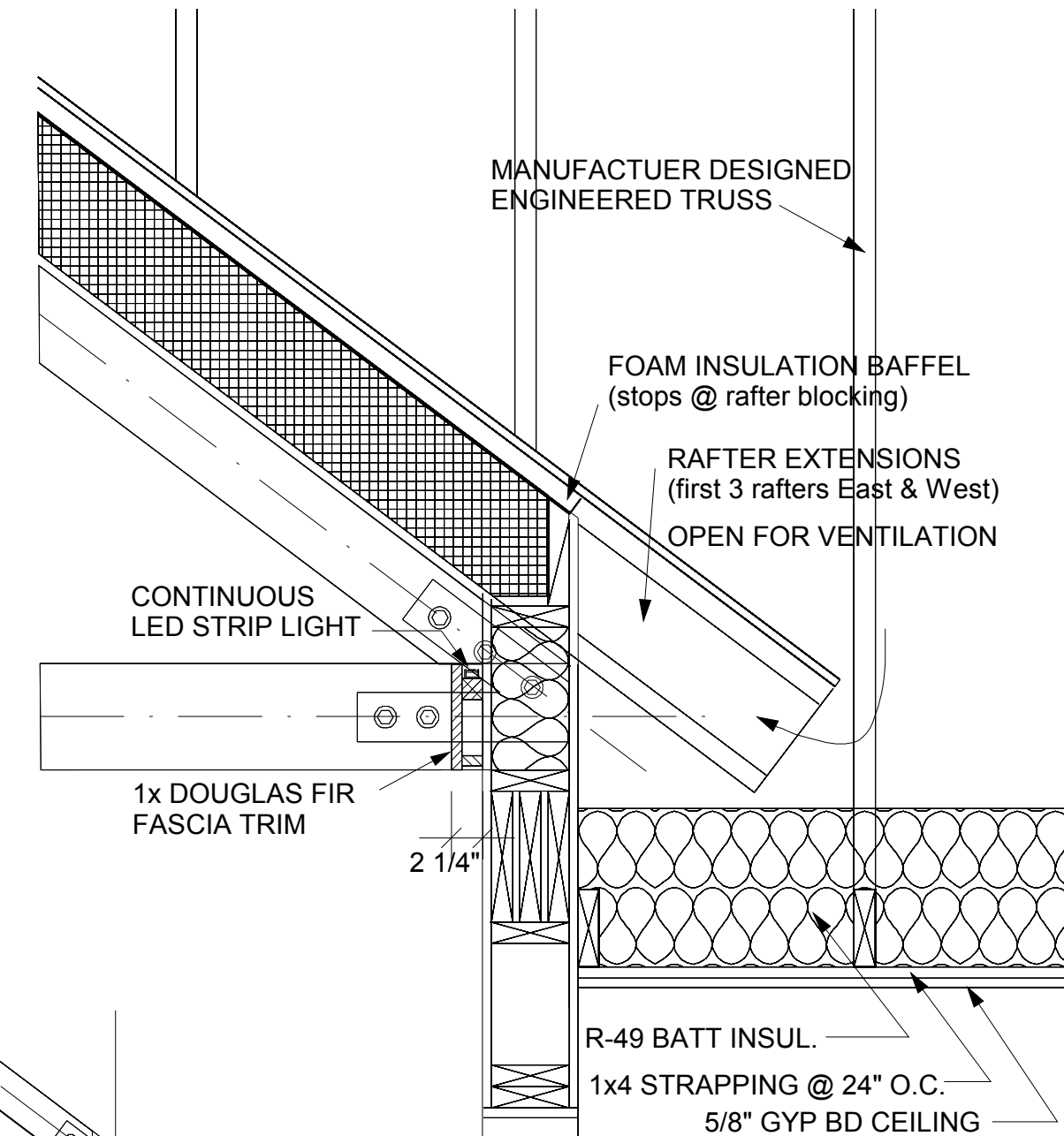
**1 GABLE END DET. N-S WALLS**  
 A-11 Scale 1"=1'-0" REV-NS-SECT



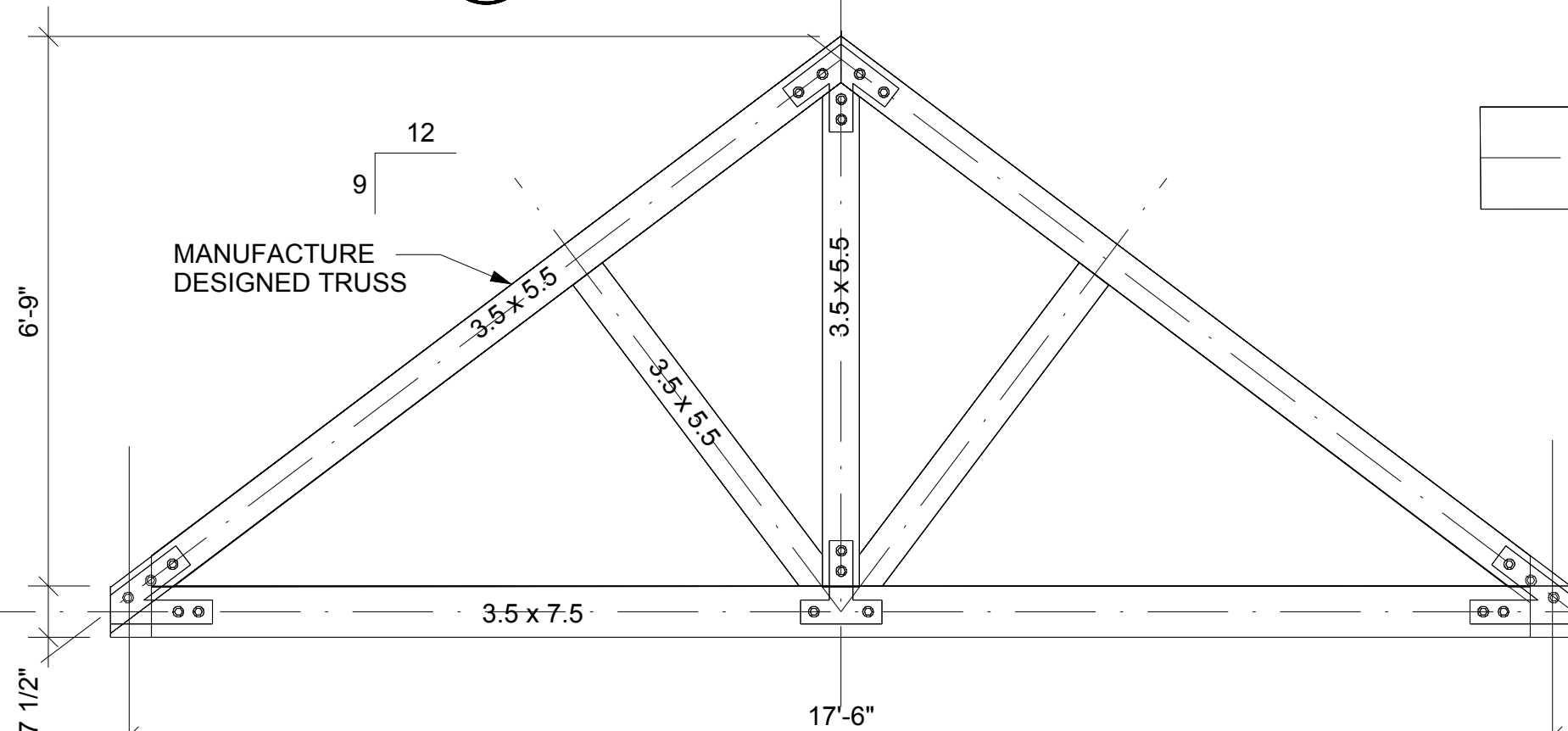
**4 CENTER GABLE RIDGE DETAIL**  
 A-11 Scale 1"=1'-0" REV-NS-SECT



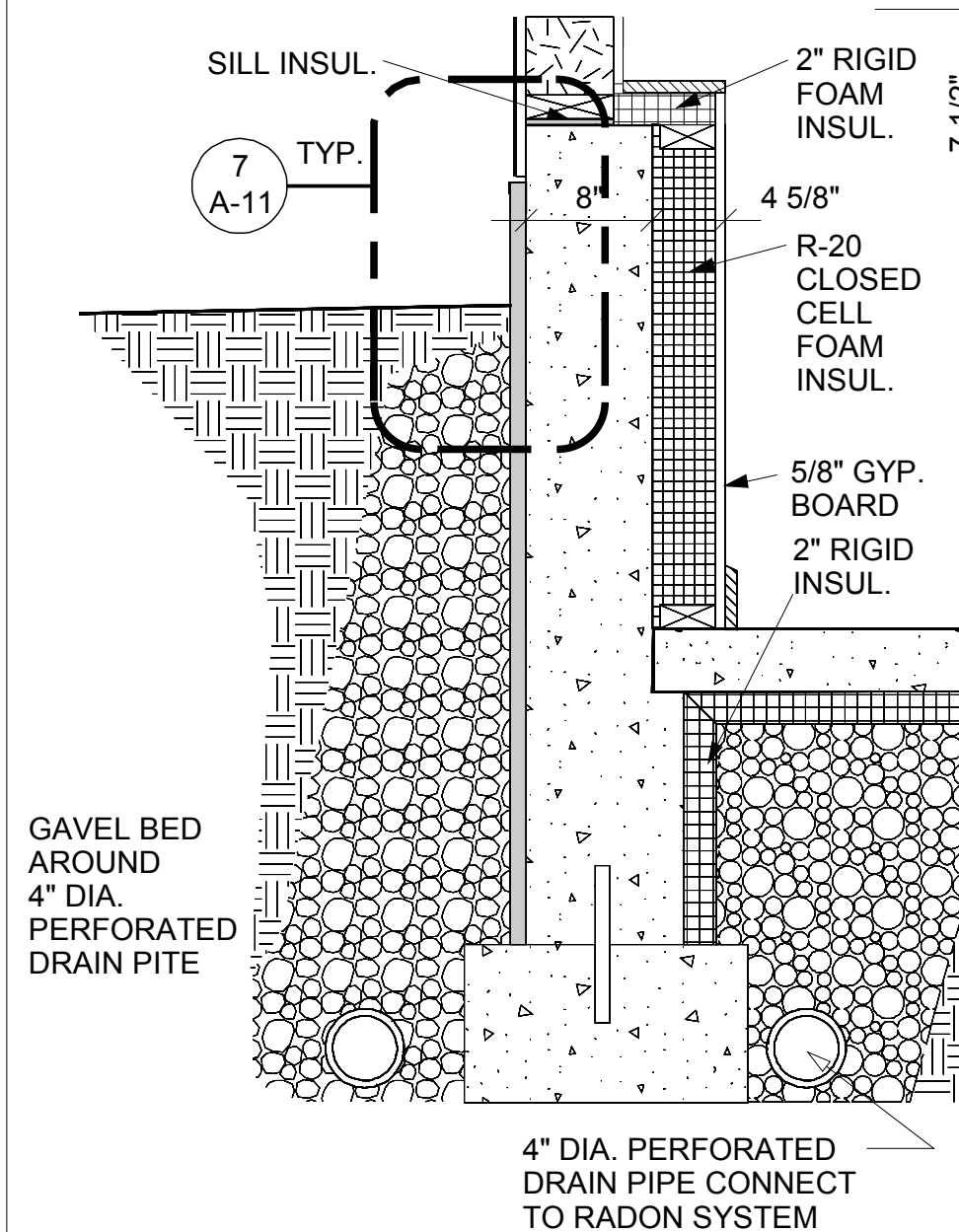
**2 1ST FL. DET. - SOUTH WALL**  
 A-11 Scale 1"=1'-0" REV-NS-SECT



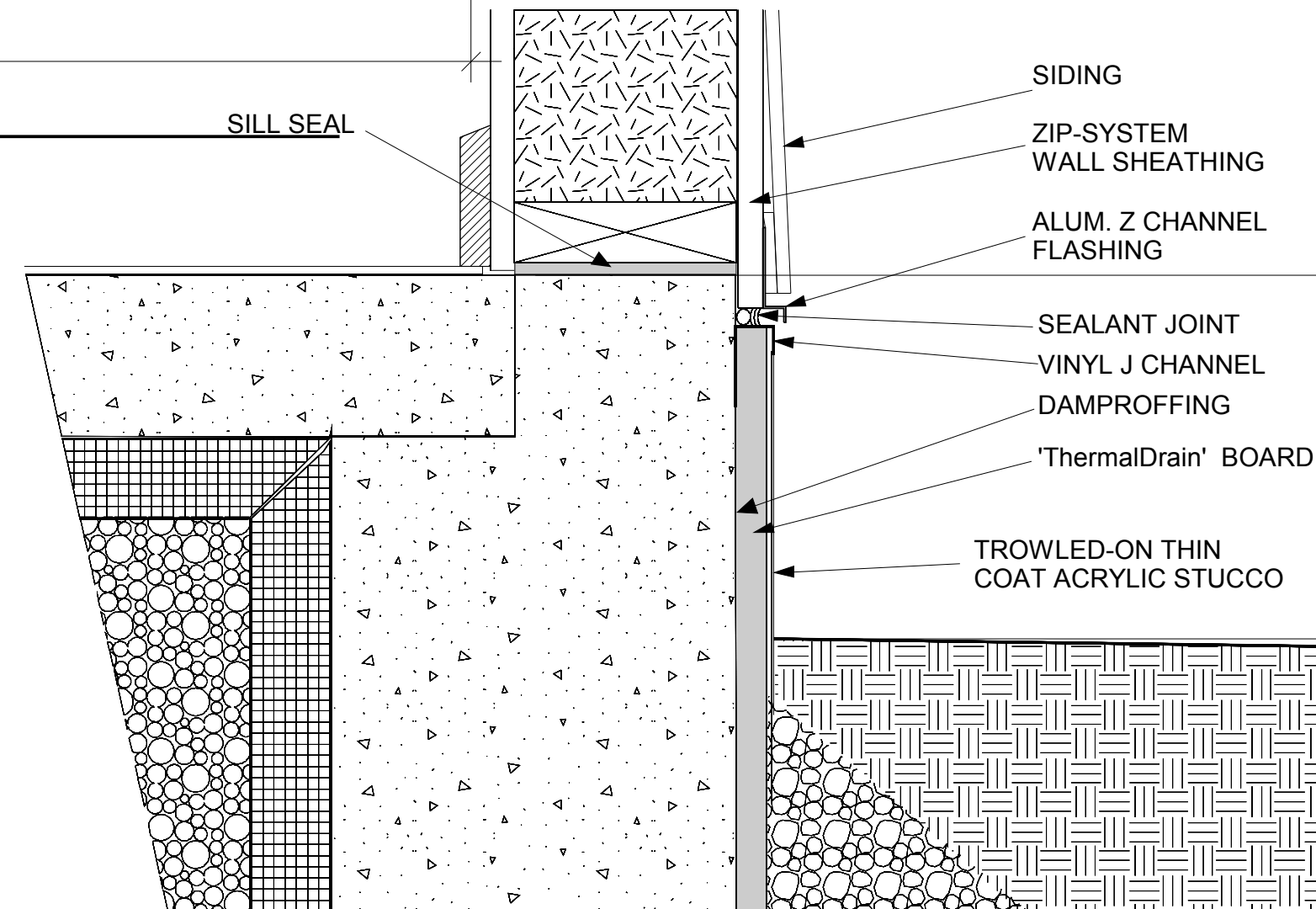
**5 CENTER GABLE SUPPORT DETAIL**  
 A-11 Scale 1"=1'-0" REV-NS-SECT



**6 GABLE TRUSS PROFILE**  
 A-11 Scale 1/2"=1'-0" GABLE-TRUSS



**3 FOUNDATION DETAIL- SOUTH WALL**  
 A-11 Scale 1"=1'-0" REV-NS-SECT



**7 FOUNDATION DETAIL**  
 A-11 Scale 3"=1'-0" REV-NS-SECT

Expires 11/30/2018

**MacLaren Residence**

51 FAIRVIEW LANE  
 SPRINGFIELD IL

Architect:  
 Robert E. Edmonds  
 7158 Waterman Ave  
 St. Louis, MO 63130  
 314-324-9333  
 reedmonds@yahoo.com