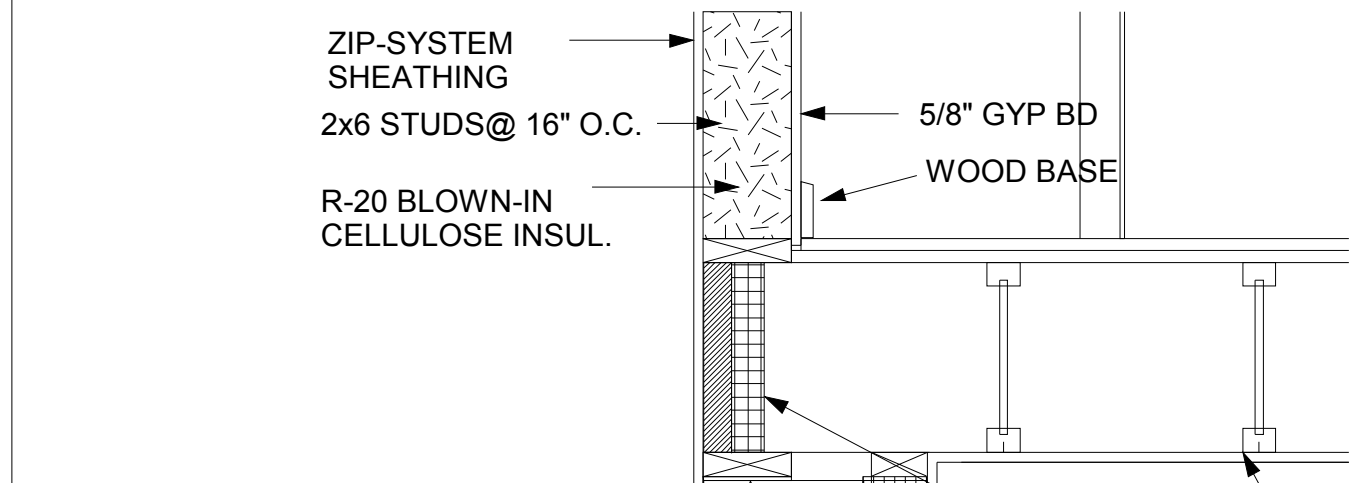
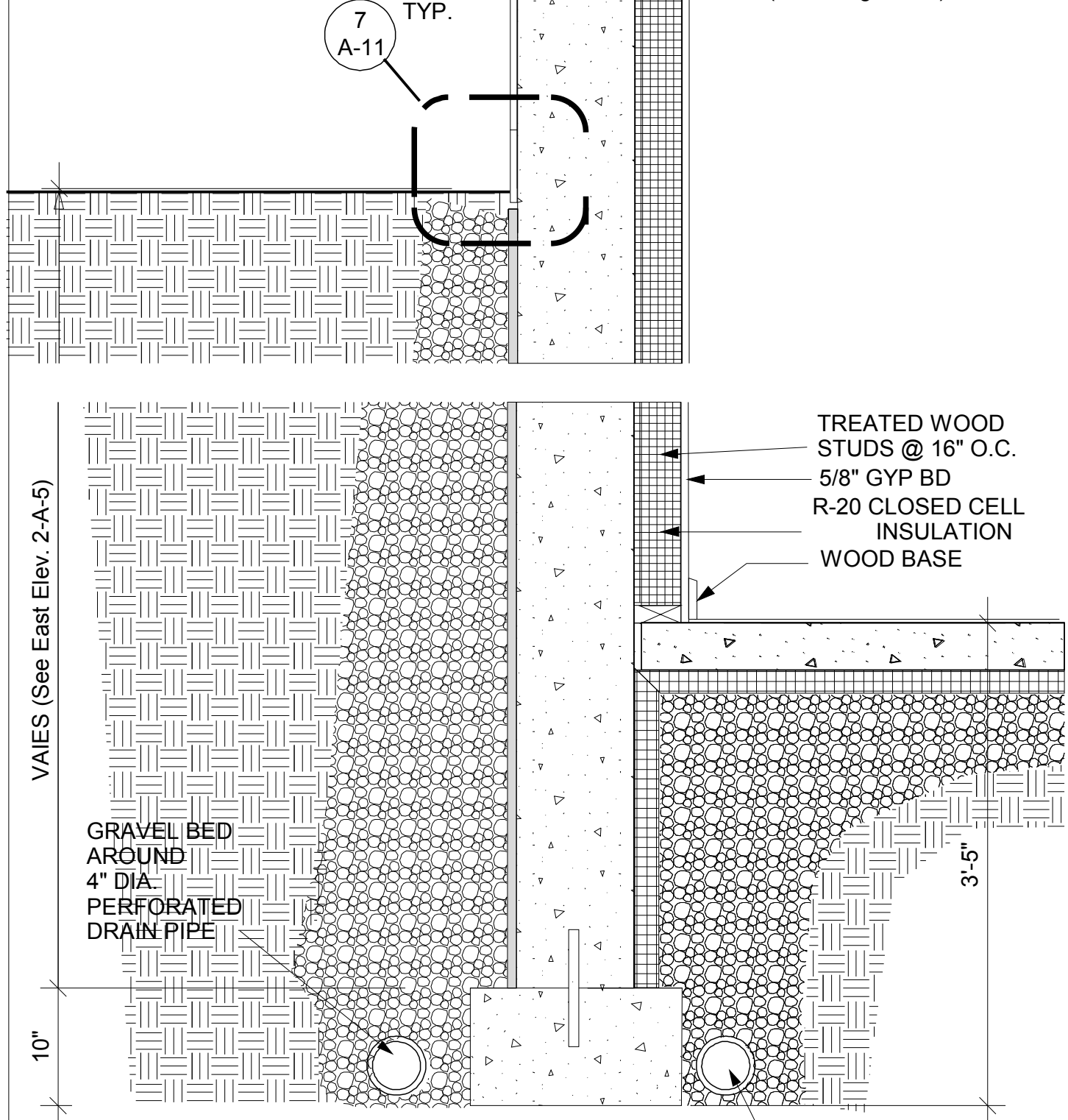


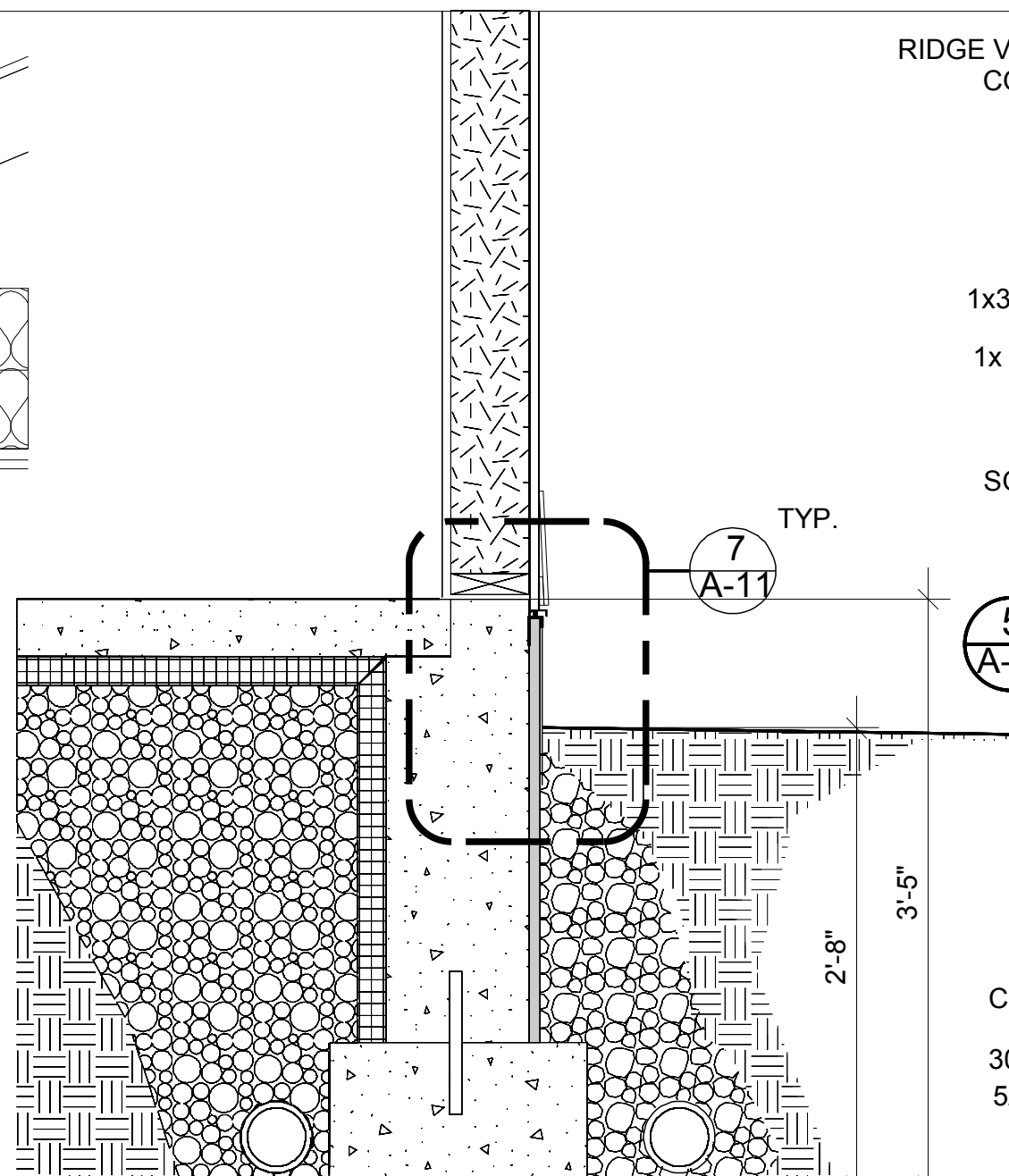
1 EAVE DETAIL- EAST WALL
 A-10 Scale 1"=1'-0" BLDG-SECT_E-W-SECT-1



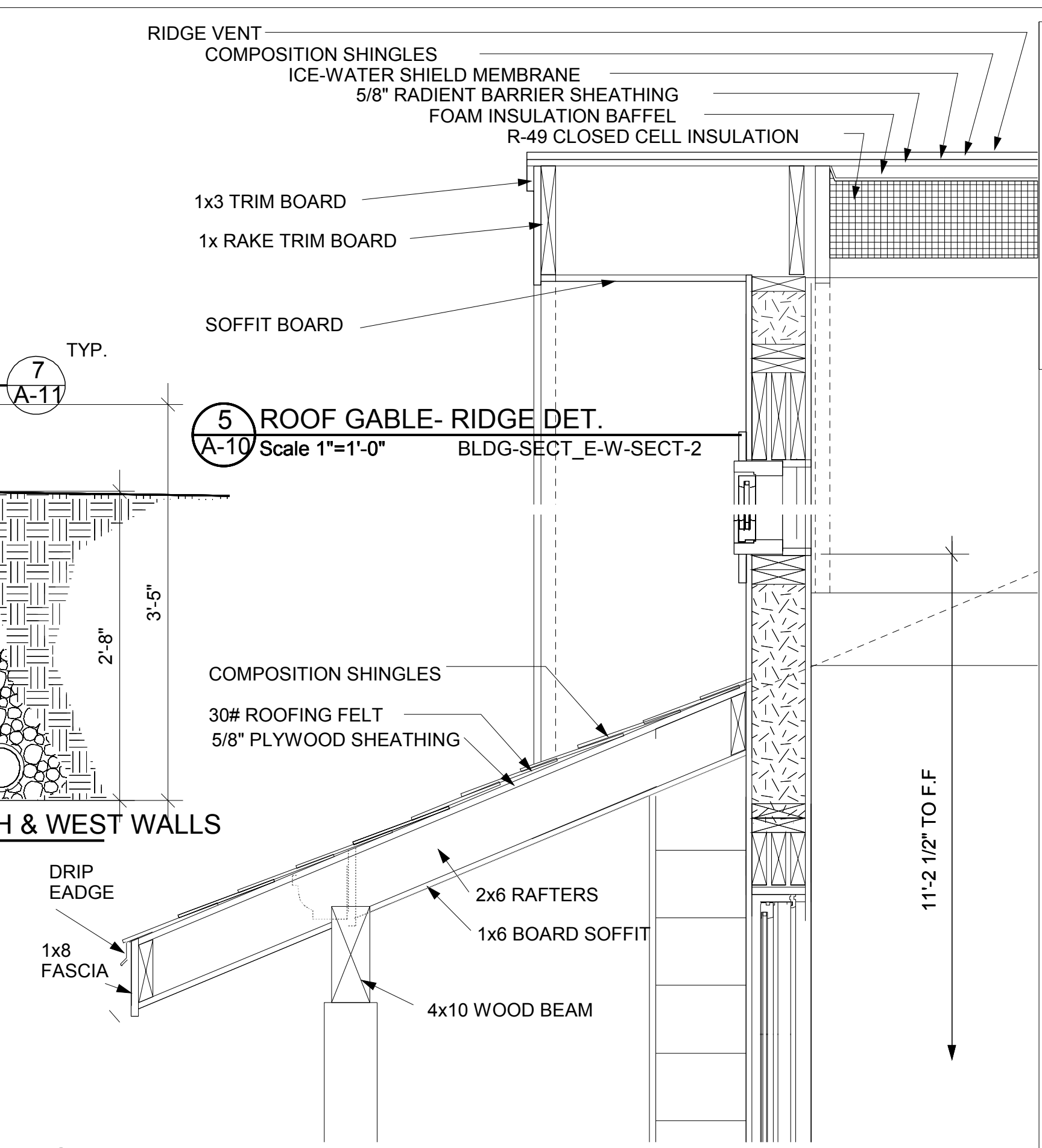
2 1ST FL. DET.- EAST WALL
 A-10 Scale 1"=1'-0" BLDG-SECT_E-W-SECT-1



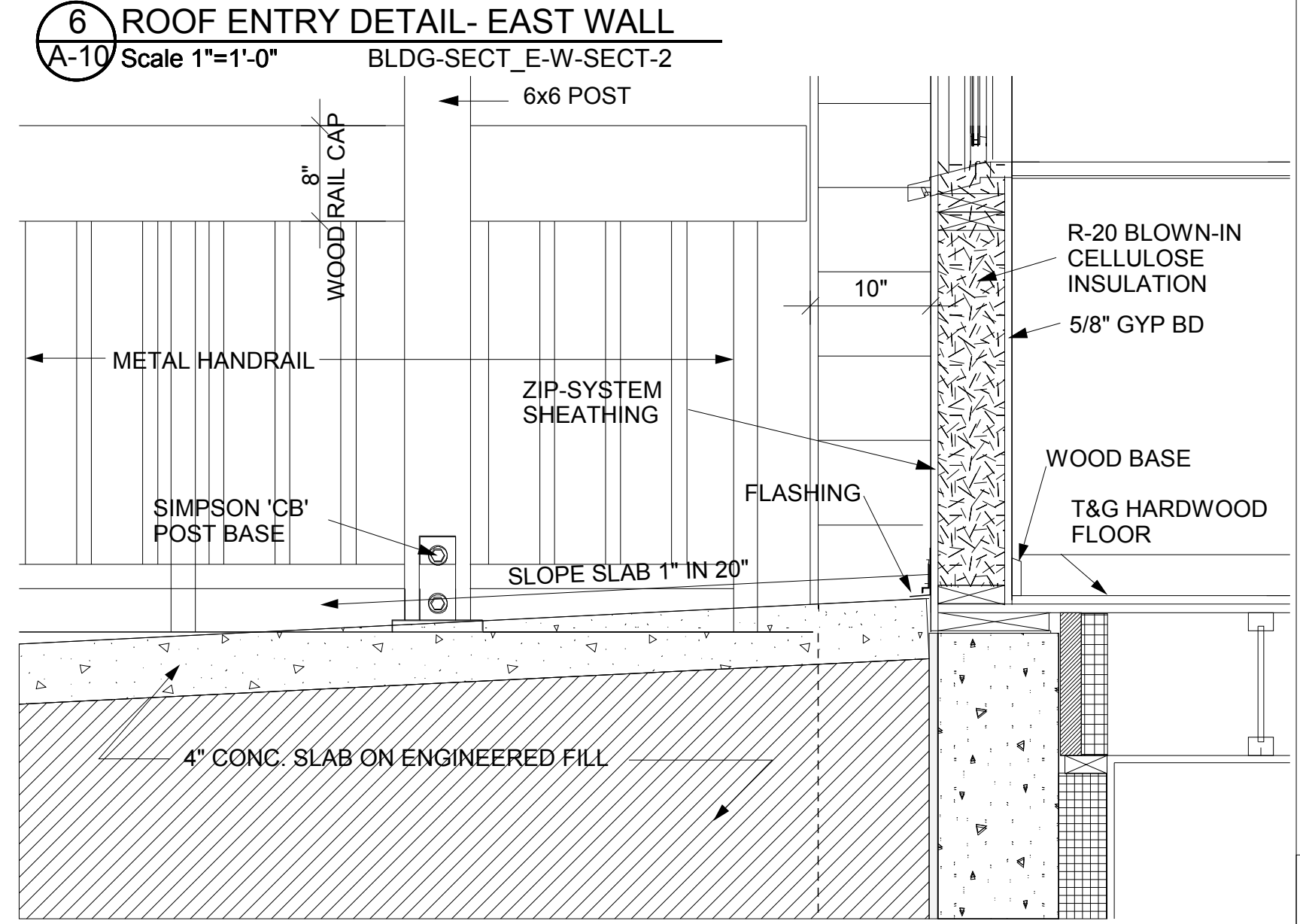
3 FOUNDATION DETAIL- EAST WALL
 A-10 Scale 1"=1'-0" BLDG-SECT_E-W-SECT-1



4 FOUNDATION DETAIL- NORTH & WEST WALLS
 A-10 Scale 1"=1'-0"



5 ROOF GABLE- RIDGE DET.
 A-10 Scale 1"=1'-0" BLDG-SECT_E-W-SECT-2



6 ROOF ENTRY DETAIL- EAST WALL
 A-10 Scale 1"=1'-0" BLDG-SECT_E-W-SECT-2

7 SILL DETAIL at ENTRY- EAST WALL
 A-10 Scale 1"=1'-0" BLDG-SECT_E-W-SECT-2

Expires 11/30/2018
MacLaren Residence
 51 FAIRVIEW LANE
 SPRINGFIELD IL
 Architect:
 Robert E. Edmonds
 7158 Waterman Ave
 St. Louis, MO 63130
 314-324-9333
 reedmonds@yahoo.com